



**CAMLOCK**  
SYSTEMS

**PRODUCT SPECIFICATION**

Series 65 Cam Lock

# SERIES 65

**NEW HARDENED STEEL CAM LOCK  
HOUSES OUR FLAGSHIP, PATENTED  
AXIAL MECHANISM.**



## OVERVIEW

**Anti-manipulation, key control, high security.**

Camlock's flagship AXIAL pin tumbler mechanism utilised a series of single, flag-shaped pins that cannot be bumped into place, alongside a set of anti-manipulation features, an anti-drill pillar, and an additional anti-drill roller to prevent drive-through. **Available in 18mm, 25 and 30mm body lengths. A wide range of compatible cams are available to order in addition to this cylinder.**

### Product features

- o Stainless steel anti-drill pillar to deflect drilling
- o Additional anti-drill roller to protect the cam and latch
- o No shear line = bump resistant
- o Ideal for superior key control
- o Can cross suite with Series 63

## TECHNICAL DATA

Number of key differs	over 5.7 million
Protective features	Anti-drill pillar, anti-drill roller
Mechanism	Axial Pin Tumbler
Body material	Hardened steel
Patent protection	Yes
Key registration	Yes
Cross suiting (within the Axial family)	Yes
Master keying	No
Key suite options	Keyed alike and keyed to differ
Body length	18mm, 25mm, 30mm
Fixing hole dimensions	Standard 19mm x 16mm 'double D' punch
Lock fixing	Body nut (supplied)
Key operations	Three options available

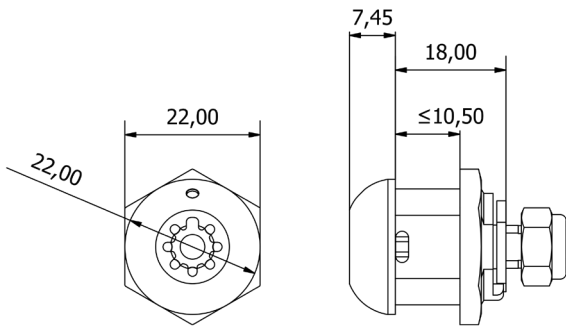
**SMARTER  
LOCKING**



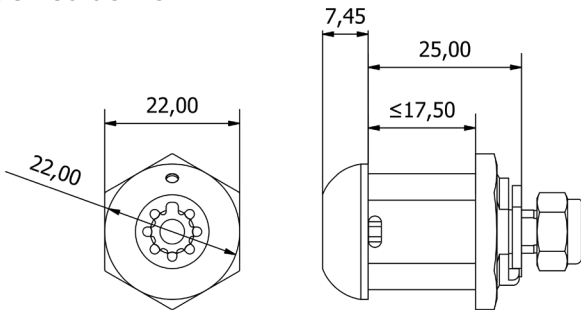
## TECHNICAL DRAWINGS

## ADDITIONAL PRODUCT IMAGES

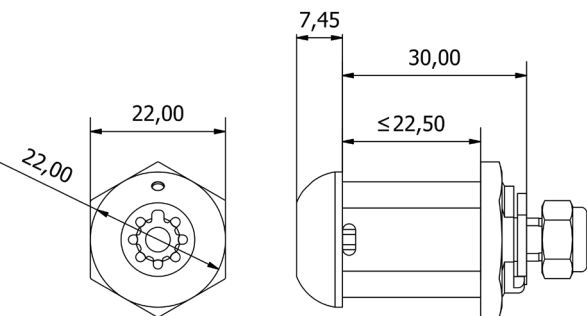
### Series 65 18mm



### Series 65 25mm

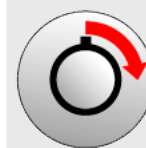


### Series 65 30mm



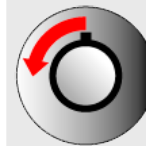
## KEY OPERATIONS

Additional free positions (key movements: 4,5,6 and 9) available to special order, subject to quantity.



### Key movement: 1

Key starting position: 12 o'clock  
Key rotation: 90°  
Key ending position: 3 o'clock  
Key when unlocked: Trapped



### Key movement: 2

Key starting position: 12 o'clock  
Key rotation: 90°  
Key ending position: 9 o'clock  
Key when unlocked: Trapped



### Key movement: 3

Key starting position: 12 o'clock  
Key rotation: 90°  
Key ending position: 3 o'clock  
Key when unlocked: Trapped