



CAMLOCK
SYSTEMS

PRODUCT SPECIFICATION

Series 2 Cam Lock

SERIES 2

**SOLID BRASS CAM LOCK
WITH A RADIAL PIN
TUMBLER MECHANISM.**



OVERVIEW

A durable, brass Cam Lock

A popular choice for transport locking and applications requiring low-mid level security in a durable material. The Series 2 Cam Lock is available in zinc alloy, as well as in insert and push lock.

Available in 11, 13, 18, 25 and 30mm body lengths. A wide range of compatible cams are available to order in addition.

Product features

- o Seven pin, Radial Pin Tumbler mechanism
- o Solid brass cam lock with polished chrome finish
- o Variety of body lengths to suit
- o Available in other formats: push lock, standard and short inserts

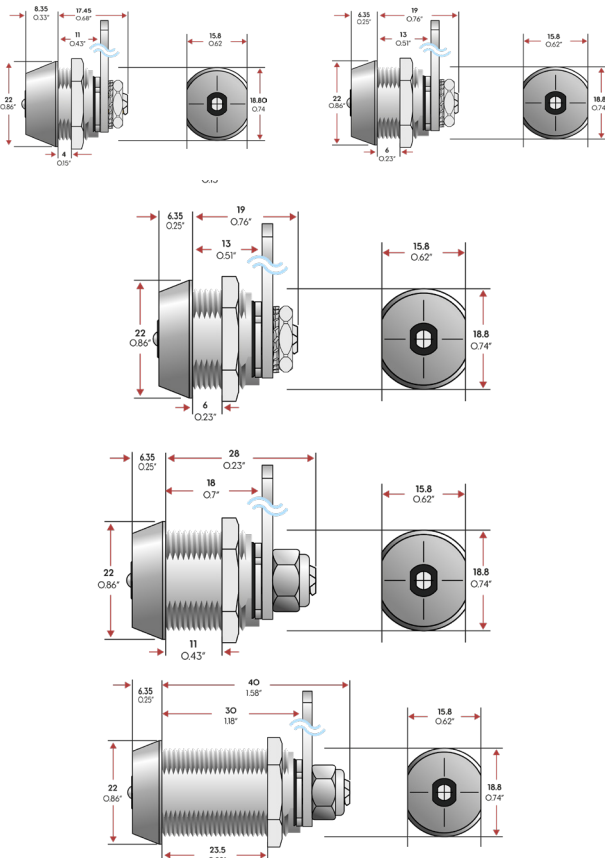
TECHNICAL DATA

Number of key differs	500,000
Mechanism	Seven pin, Radial pin tumbler
Body material	Brass
Finish	Polished chrome
Patent protection	No
Key registration	No
Masterkeying	No
Key suite options	Keyed alike and keyed to differ
Body length	11mm, 13mm, 18mm, 25mm and 30mm
Fixing hole dimensions	Standard 19mm x 16mm double D punch
Lock fixing	Brass body nut (supplied)
Key operations	3, 6 and 9 o'clock trapped and free key. 12 o'clock free

**SMARTER
LOCKING**



TECHNICAL DRAWINGS



ADDITIONAL PRODUCT IMAGES

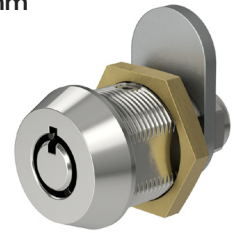
11mm



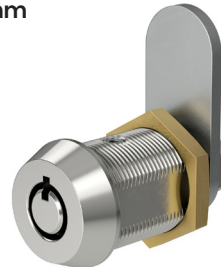
13mm



18mm



25mm



30mm



KEY OPERATIONS



Key movement: 1

Key starting position: 12 o'clock
Key rotation: 90°
Key ending position: 3 o'clock
Key when unlocked: Trapped



Key movement: 2

Key starting position: 12 o'clock
Key rotation: 90°
Key ending position: 9 o'clock
Key when unlocked: Trapped



Key movement: 3

Key starting position: 12 o'clock
Key rotation: 90°
Key ending position: 3 o'clock
Key when unlocked: Free



Key movement: 4

Key starting position: 12 o'clock
Key rotation: 90°
Key ending position: 9 o'clock
Key when unlocked: Free



Key movement: 5

Key starting position: 12 o'clock
Key rotation: 180°
Key ending position: 6 o'clock
Key when unlocked: Free



Key movement: 6

Key starting position: 12 o'clock
Key rotation: 180°
Key ending position: 6 o'clock
Key when unlocked: Trapped



Key movement: 9

Key starting position: 12 o'clock
Key rotation: 360°
Key ending position: 12 o'clock
Key when unlocked: Up to four positions free