



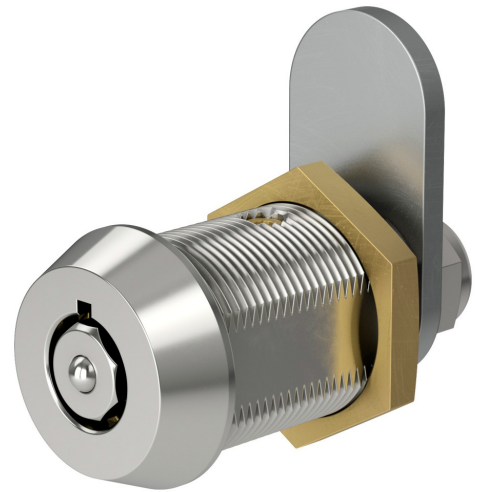
CAMLOCK
SYSTEMS

PRODUCT SPECIFICATION

Series 58 Cam Lock

SERIES 58

BRASS CAM LOCK WITH MASTER KEYING AND OUR SEVEN PIN, OCTAGON MECHANISM.



OVERVIEW

Made to order Octagon RPT with master key.

The **Series 58** offer all the benefits of our **Series 28** Octagon mechanism with the additional feature of master keying. Available in 18mm, 25 and 30mm body lengths. A wide range of compatible cams are available to order with the S58.

Product features

- o Seven pin, Radial Pin Tumbler
- o Exclusive Octagon mechanism
- o Master keyed Cam Lock with the security benefits of our **Series 28**
- o Ideal for superior key control

TECHNICAL DATA

Number of key differs	over 500,000
Protective features	Anti-drill centre
Mechanism	Octagon, Radial Pin Tumbler
Body material	Brass
Patent protection	No
Key registration	Yes
Master keying	Yes
Key suite options	Keyed alike and keyed to differ
Body length	18mm, 25mm, 30mm
Fixing hole dimensions	Standard 19mm x 16mm double D punch
Lock fixing	Brass body nut and Nyloc Tail Nut (supplied)
Key operations	3 and 9 o'clock trapped

**SMARTER
LOCKING**



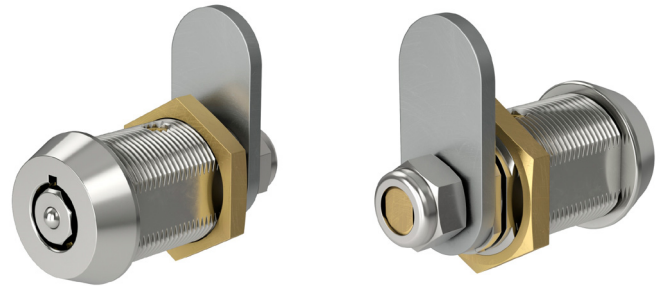
TECHNICAL DRAWINGS

ADDITIONAL PRODUCT IMAGES

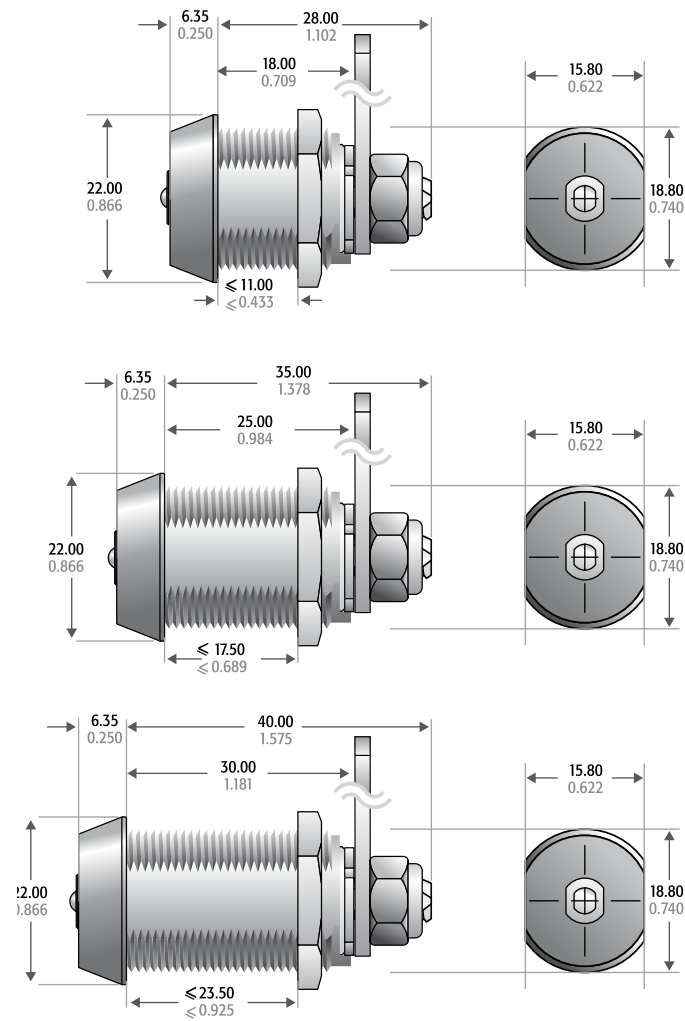
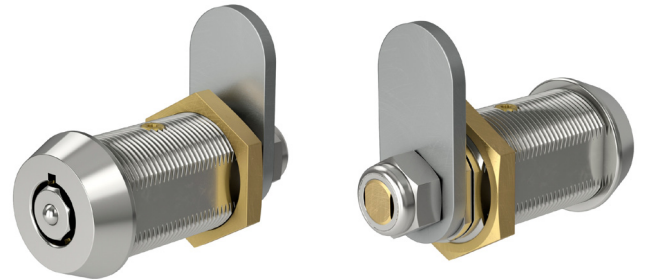
18mm



25mm



30mm

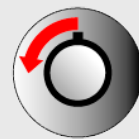


KEY OPERATIONS



Key movement: 1

Key starting position: 12 o'clock
Key rotation: 90°
Key ending position: 3 o'clock
Key when unlocked: Trapped



Key movement: 2

Key starting position: 12 o'clock
Key rotation: 90°
Key ending position: 9 o'clock
Key when unlocked: Trapped