



**CAMLOCK**  
SYSTEMS

**PRODUCT SPECIFICATION**

**402 Swing Handle**

**402**

**STAINLESS STEEL, EURO  
PROFILE SWING HANDLE**



## OVERVIEW

### Cam operated swing handle

This smart stainless steel swing handle is suitable for outdoor cabinetry. Comes fitted with a dust cover to conceal the locking cylinder and a cranked cam. **A wide range of suitable cams are available, as well as rods and other multi-point locking accessories.**

### Product features

- o High-quality stainless steel handle
- o Suitable for multi-point locking
- o Alternative versions: padlockable
- o Stainless steel version available

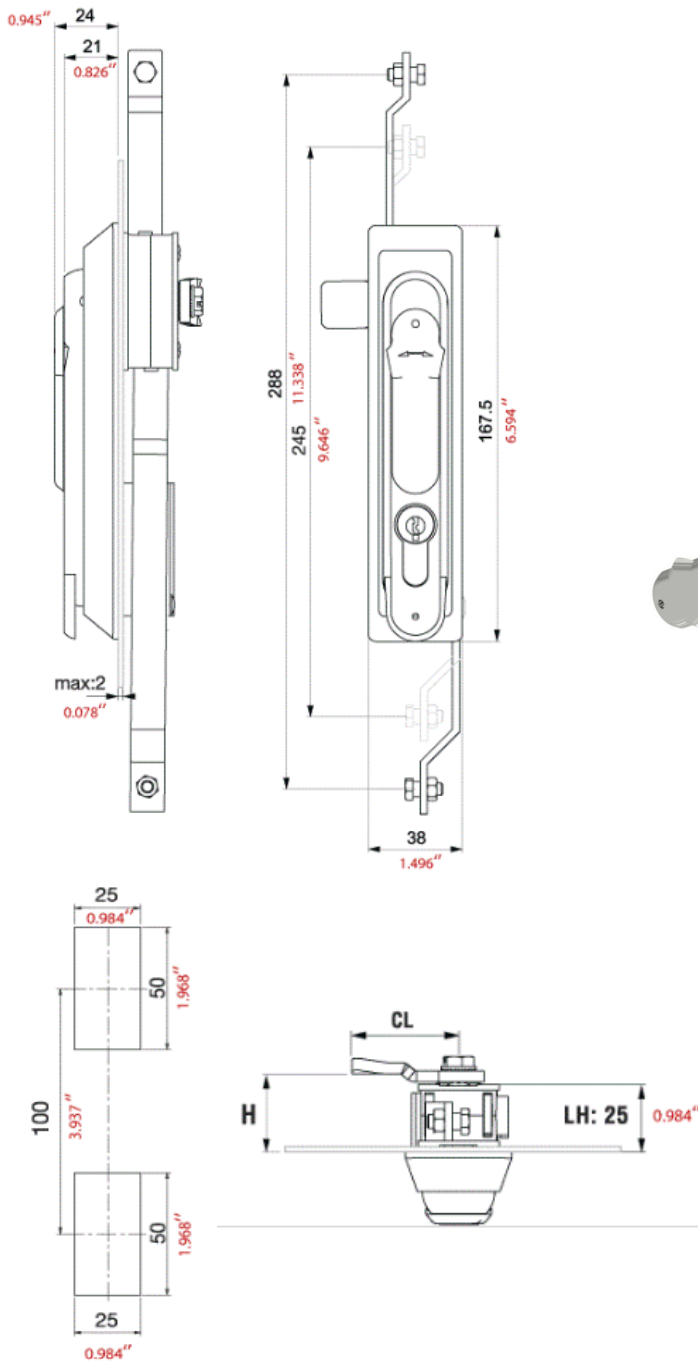
## TECHNICAL DATA

Accreditations	RoHS compliant
Locking cylinder	Brass Euro profile
Measurements	168mm (L) x 38mm (W) x 24mm (D)
Material	Stainless steel
Single or double-skinned cabinet	Single skin
Orientation	Left and right-hand
Fixing hole measurements	Double 50mm x 25mm, 100mm apart
Ingress protection	Protective gaskets
IP rating	IP 65
Patented protection	No
Key registration	No

**SMARTER  
LOCKING**



## TECHNICAL DRAWINGS



## ADDITIONAL PRODUCT IMAGES

