



CAMLOCK
SYSTEMS

PRODUCT SPECIFICATION

502 Swing Handle

502

SLIM, STAINLESS STEEL SWING HANDLE WITH EURO PROFILE LOCKING CYLINDER.



OVERVIEW

Slim, stainless swing handle with gearbox

This stylish, slim-profile swing handle is suitable for outdoor cabinetry. Constructed in 316 grade stainless steel, the 502 is available with all stainless steel parts or a polyamide gearbox. Also available in zinc alloy. A range of suitable cams are available, including special, cracked cams for multi-point locking.

Product features

- Thin external 14.4mm profile with flush appearance
- Suitable for multi-point locking
- Alternative versions: Padlockable
- Available with black polyamide or stainless steel gearbox and cam

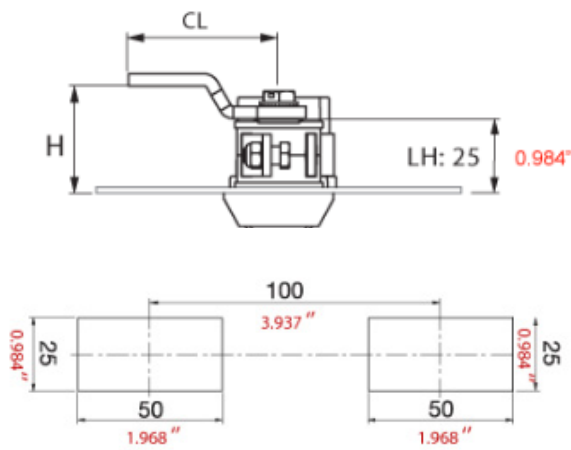
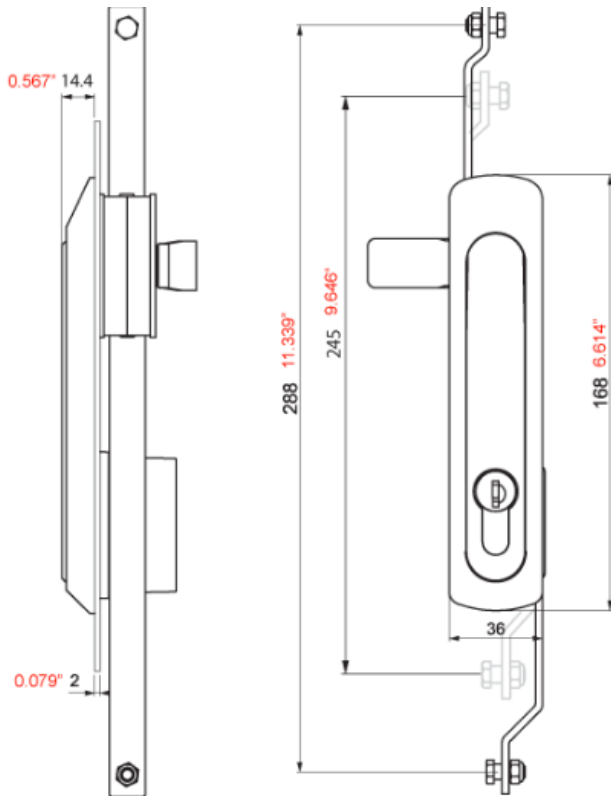
TECHNICAL DATA

Accreditations	RoHS compliant
Locking cylinder	Zinc alloy or brass Euro profile
Measurements	168mm (L) x 36mm (W) x 14.4mm (D)
Material	Stainless steel
Single or double skin	Single skin
Orientation	Left and right hand
Fixing hole measurements	Double 50mm x 25mm, with centre holes 100mm apart
Ingress protection	Protective gaskets
IP rating	IP 65
Padlockable version	Yes - available on request

**SMARTER
LOCKING**



TECHNICAL DRAWINGS



ADDITIONAL PRODUCT IMAGES

502-40-40 (Stainless steel handle with polyamide gearbox)



502-2-40-40 (Stainless steel handle and gearbox)

