



**CAMLOCK**  
SYSTEMS

## PRODUCT SPECIFICATION

408 Swing Handle

# 408

**ALL METAL  
VANDAL-RESISTANT  
SWING HANDLE.**



## OVERVIEW

### Vandal-resistant geometric design.

An all-metal swing handle, the 408 has enhanced weather resistance for outdoor applications including a magnetic dust cover. The large, strong body is resistant to vandalism and conceals the locking mechanism. **A range of compatible cams are available to order in addition to the 408 handle.**

### Product features

- o Protective vandal-resistant geometry
- o Magnetic dust cap
- o Double skin version available (**408-3**)
- o Choice of seven different cylinders, including a master key system
- o Ideal for outdoor, unmanned applications

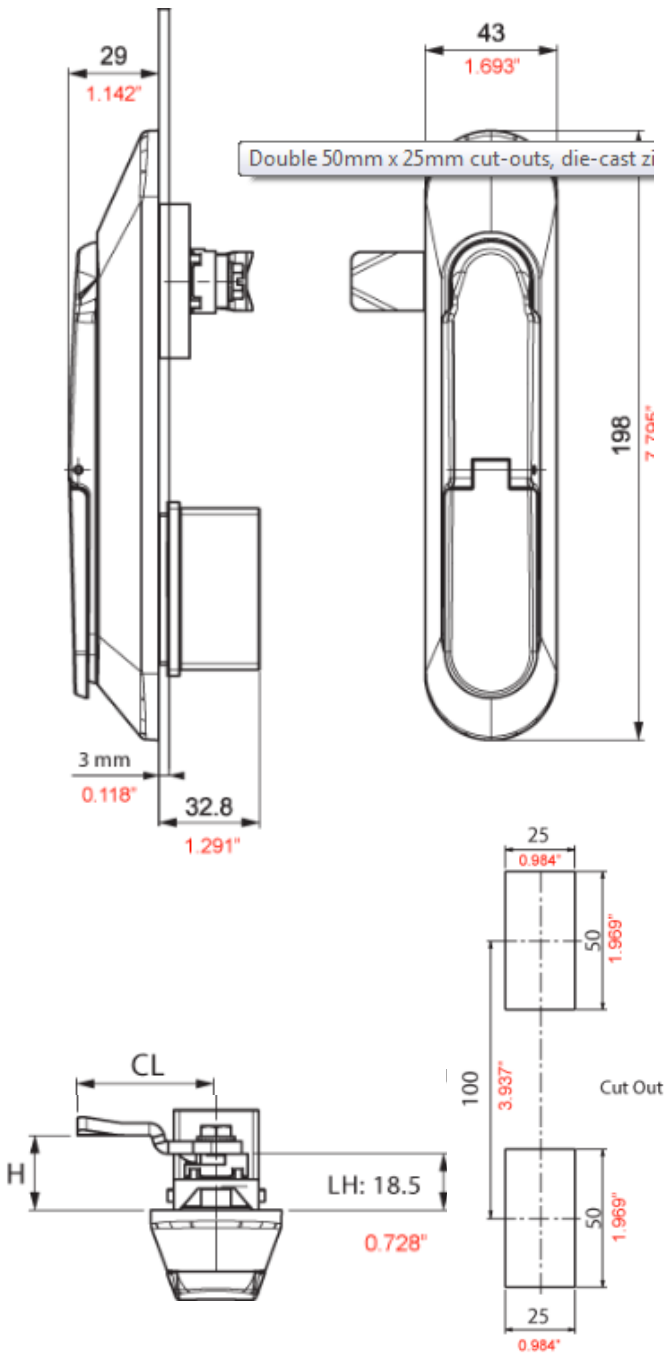
## TECHNICAL DATA

Accreditations	RoHS compliant
Locking cylinder	Euro profile
Measurements	198mm (L) x 43mm (W) x 29mm (D)
Material	Zinc alloy
Finish	Black powder coated
Single or double skin	Single or double
Orientation	Left and right hand
Fixing hole measurements	50mm x 25mm, centre holes 100mm apart
Ingress protection	Double o-ring handle and dust cap
IP rating	IP 65

# SMARTER LOCKING



## TECHNICAL DRAWINGS



## ADDITIONAL PRODUCT IMAGES



Suitable for single and double skin panel thickness.



Single skin (408-1)



Double skin (408-3)