



CAMLOCK
SYSTEMS

PRODUCT SPECIFICATION

Series T48 Cam Lock

SERIES T48

**CAMATIC BRASS CAM LOCK.
12 PIN CHANGEABLE
OCTAGON MECHANISM.**



OVERVIEW

High-security, changeable Radial Pin Tumbler

The **Series T48** Cam Lock includes a changeable, 12 pin "camatic" version of our Octagon mechanism. Constructed in brass, it offers excellent durability, key control and is easy for personnel to use. Available in 18mm, 25 and 30mm body lengths. A wide range of compatible cams are available.

Product features

- o 12 pin Radial Pin Tumbler
- o Changeable Octagon mechanism with 12 combinations
- o Simple to use: Change indicators on the lock bezel
- o Operator and change keys sold separately

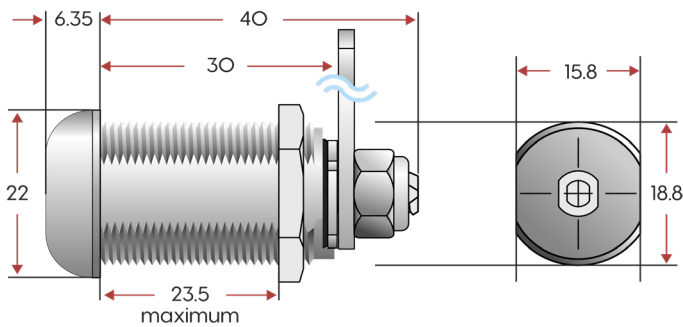
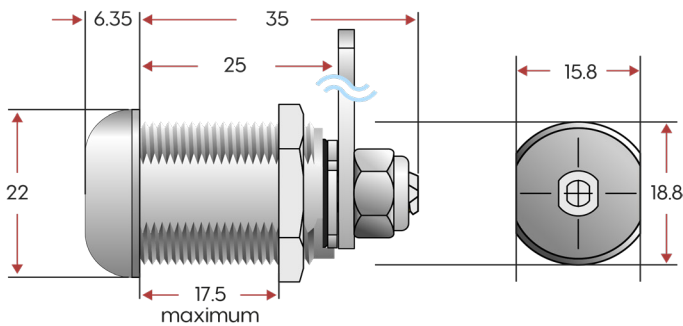
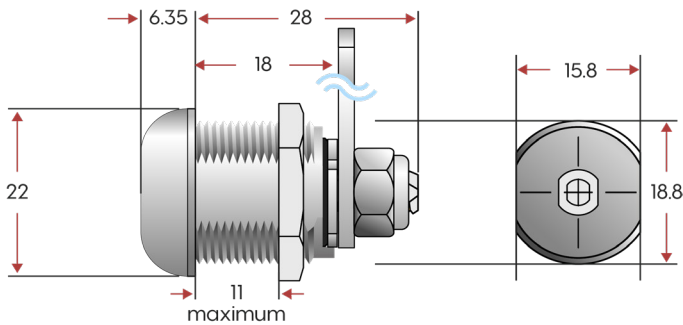
TECHNICAL DATA

| | |
|------------------------|---|
| Number of key differs | 500,000 |
| Mechanism | Changeable 12 pin Octagon, Radial Pin Tumbler |
| Body material | Brass |
| Patent protection | No |
| Key registration | Yes |
| Master keying | No |
| Key suite options | Keyed alike |
| Body length | 18mm, 25mm, 30mm |
| Fixing hole dimensions | Standard 19mm x 16mm 'double D' punch |
| Lock fixing | Brass body nut (supplied) |
| Key operations | 3, 6, 9, 12 o'clock trapped and free key |

**SMARTER
LOCKING**



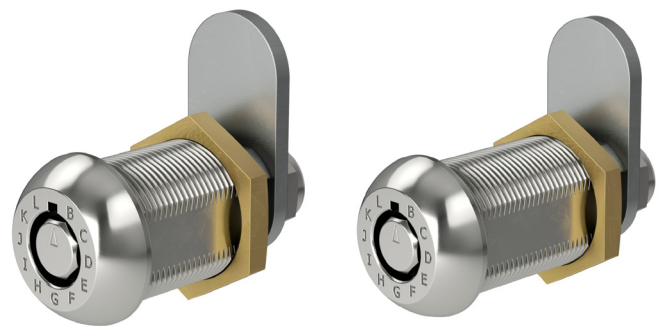
TECHNICAL DRAWINGS



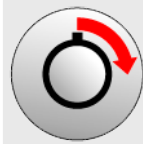
ADDITIONAL PRODUCT IMAGES

25mm

30mm

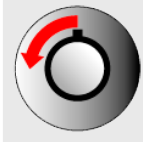
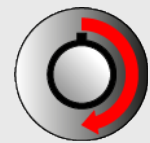


KEY OPERATIONS



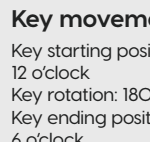
Key movement: 1

Key starting position: 12 o'clock
 Key rotation: 90°
 Key ending position: 3 o'clock
 Key when unlocked: Trapped



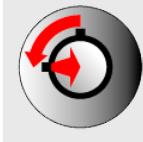
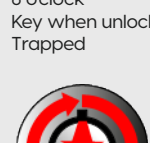
Key movement: 2

Key starting position: 12 o'clock
 Key rotation: 90°
 Key ending position: 9 o'clock
 Key when unlocked: Trapped



Key movement: 3

Key starting position: 12 o'clock
 Key rotation: 90°
 Key ending position: 3 o'clock
 Key when unlocked: Free



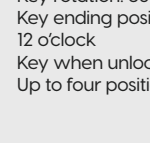
Key movement: 4

Key starting position: 12 o'clock
 Key rotation: 90°
 Key ending position: 9 o'clock
 Key when unlocked: Free



Key movement: 5

Key starting position: 12 o'clock
 Key rotation: 180°
 Key ending position: 6 o'clock
 Key when unlocked: Free



Key movement: 6

Key starting position: 12 o'clock
 Key rotation: 180°
 Key ending position: 6 o'clock
 Key when unlocked: Trapped

Key movement: 9

Key starting position: 12 o'clock
 Key rotation: 360°
 Key ending position: 12 o'clock
 Key when unlocked: Up to four positions free