



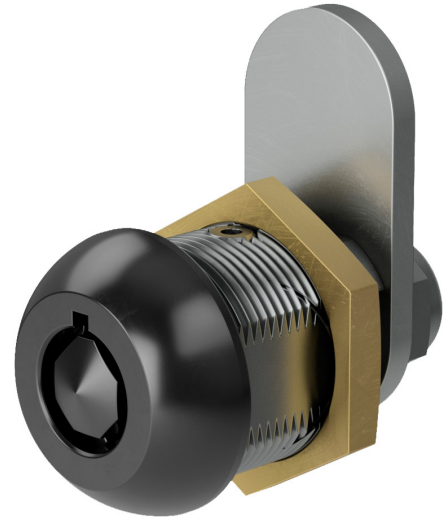
**CAMLOCK**  
SYSTEMS

**PRODUCT SPECIFICATION**

Series T8 Cam Lock

# SERIES T8

**HARDENED STEEL CAM LOCK WITH OUR 10 PIN, OCTAGON MECHANISM.**



## OVERVIEW

**High-security RPT with attack-resistance.**

The **Series T8** is a high-security Radial Pin Tumbler with our 10 pin Octagon mechanism. Designed to offer physical attack resistance with a reinforced lock face and an anti-drill centre post.

Available in 18mm, 25 and 30mm body lengths. A wide range of compatible cams are available to order alongside the Series T8.

### Product features

- o 10-pin Radial Pin Tumbler
- o Exclusive Octagon mechanism
- o Designed to resist drilling, drive-through and physical attacks
- o Deflective hardened steel anti-drill centre post
- o Can cross suite within the **T8** technology family

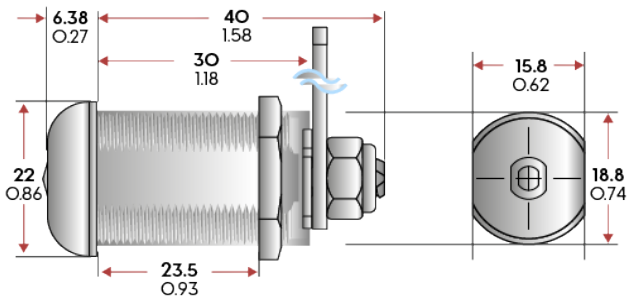
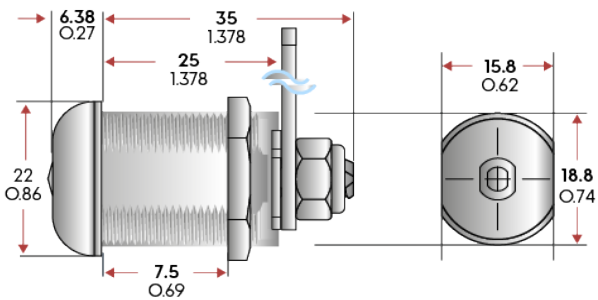
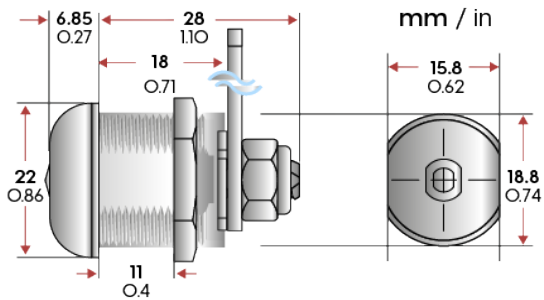
## TECHNICAL DATA

Number of key differs	over five million
Protective features	Hardened steel lock face, drill-resistant body and centre
Mechanism	Octagon, Radial Pin Tumbler
Body material	Hardened steel
Patent protection	No
Key registration	Yes
Cross suiting (within the T8 family)	Yes
Master keying	Yes - special order
Key suite options	Keyed alike and keyed to differ
Body length	18mm, 25mm, 30mm
Fixing hole dimensions	Standard 19mm x 16mm double D punch
Lock fixing	Brass body nut and Nyloc Tail Nut (supplied)
Key operations	3, 6, 9 o'clock trapped and 12 o'clock free key

**SMARTER  
LOCKING**

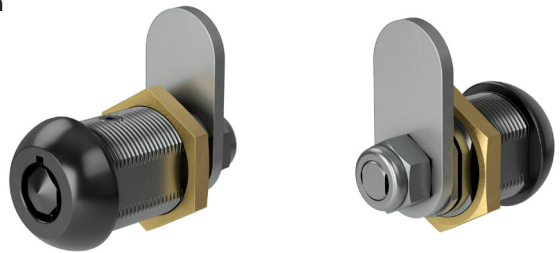


## TECHNICAL DRAWINGS

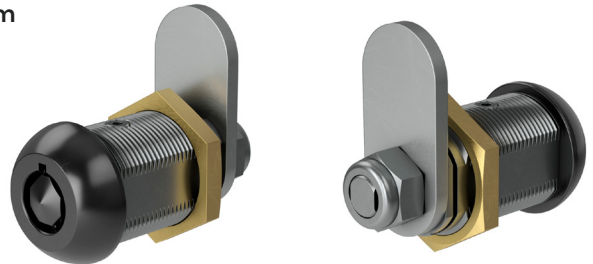


## ADDITIONAL PRODUCT IMAGES

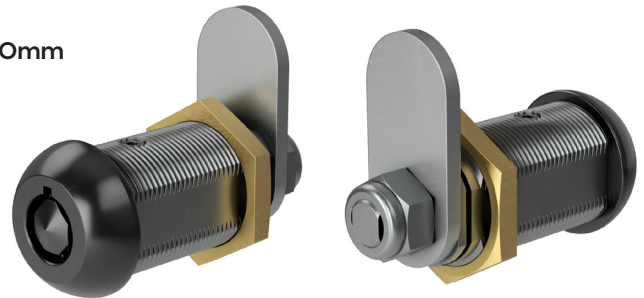
18mm



25mm



30mm

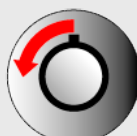


## KEY OPERATIONS



### Key movement: 1

Key starting position: 12 o'clock  
Key rotation: 90°  
Key ending position: 3 o'clock  
Key when unlocked: Trapped



### Key movement: 2

Key starting position: 12 o'clock  
Key rotation: 90°  
Key ending position: 9 o'clock  
Key when unlocked: Trapped



### Key movement: 6

Key starting position: 12 o'clock  
Key rotation: 180°  
Key ending position: 6 o'clock  
Key when unlocked: Trapped



### Key movement: 9

Key starting position: 12 o'clock  
Key rotation: 360°  
Key ending position: 12 o'clock  
Key when unlocked: Up to four positions free