



CAMLOCK
SYSTEMS

PRODUCT SPECIFICATION

Series C520 Cam Lock

SERIES C520

**MINIATURE, BRASS CAM LOCK.
FOUR PIN, RADIAL PIN TUMBLER**



OVERVIEW

Designed for ultra compact applications

Designed for applications requiring a miniature Cam Lock, this compact Radial Pin Tumbler offers all of the benefits of a four pin, Radial mechanism including over 200 key differs with a choice of key suiting and two body lengths.

Product features

- Suitable for indoor and outdoor use
- Comes with a 25mm flat cam
- Supplied with two keys and all fixings
- A 10.5mm zinc alloy version is also available (**Series 13D**)

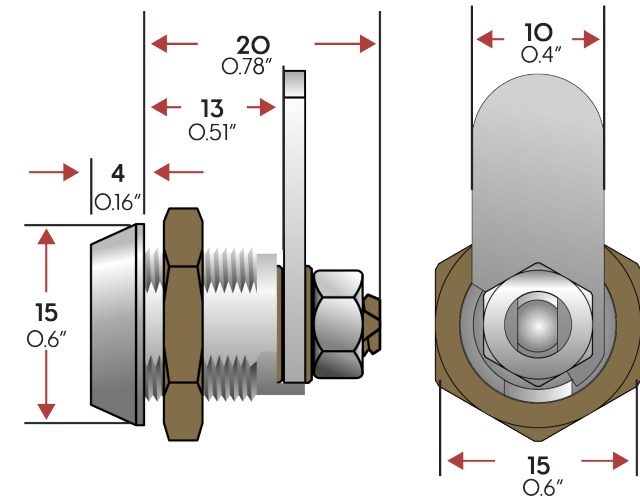
TECHNICAL DATA

Number of key differs	200
Mechanism	Radial Pin Tumbler
Body material	Brass
Finish	Bright chrome plating
Patent protection	No
Key registration	No
Master keying	No
Key suite options	Keyed alike and keyed to differ
Body length	13mm and 16mm
Fixing hole dimensions	10mm x 12mm
Lock fixing	Body nut
Key operations	90° turn clockwise and anti-clockwise, free and trapped

**SMARTER
LOCKING**



TECHNICAL DRAWINGS



ADDITIONAL PRODUCT IMAGES



KEY OPERATIONS



Key movement: 1

Key starting position: 12 o'clock
 Key rotation: 90°
 Key ending position: 3 o'clock
 Key when unlocked: Trapped



Key movement: 2

Key starting position: 12 o'clock
 Key rotation: 90°
 Key ending position: 9 o'clock
 Key when unlocked: Trapped



Key movement: 3

Key starting position: 12 o'clock
 Key rotation: 90°
 Key ending position: 3 o'clock
 Key when unlocked: Free