



CAMLOCK
SYSTEMS

PRODUCT SPECIFICATION

Series 2 Pushlock

SERIES 2

**ZINC ALLOY PUSHLOCK
WITH OUR SERIES 2, RADIAL PIN
TUMBLER MECHANISM.**



OVERVIEW

Seven pin, flange fixing Pushlock.

Ideal for sliding doors or similar applications, the Series 2 Pushlock houses our popular seven-pin radial pin tumbler mechanism in a high-quality zinc alloy body.

A cam lock and locking insert with our Series 2 mechanism is also available.

Product features

- o Seven pin, radial pin tumbler mechanism
- o Simple push-to-lock, key-to-open operation
- o Medium manipulation resistance
- o Medium physical attack resistance

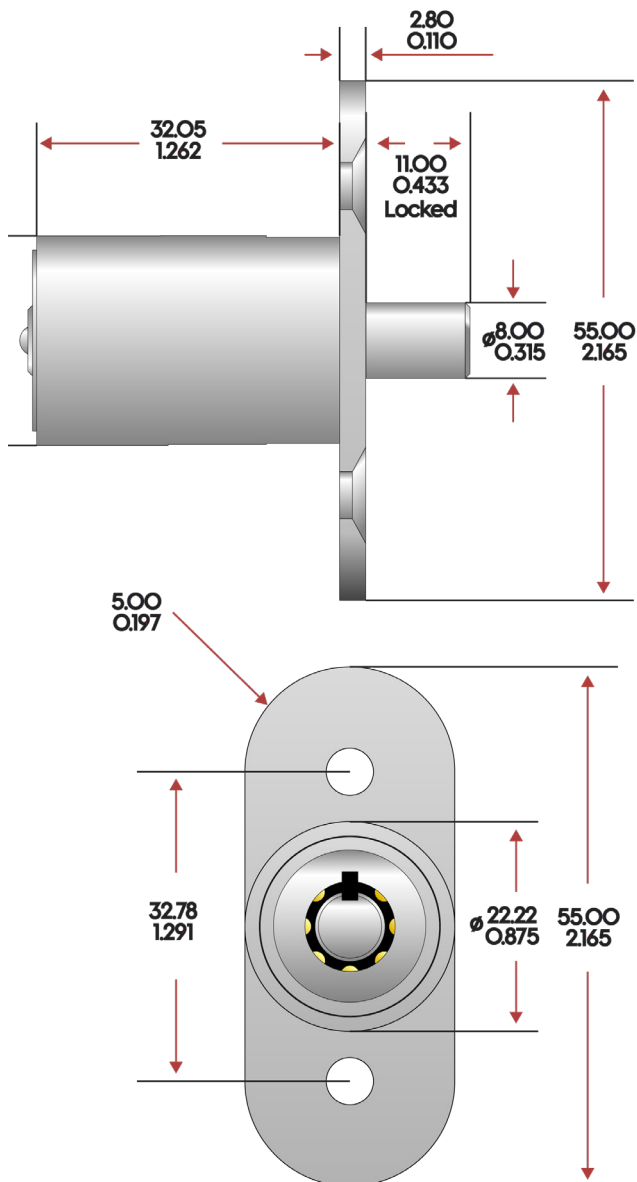
TECHNICAL DATA

Number of key differs	500,000
Mechanism	Seven pin, Radial Pin Tumbler
Body material	Zinc alloy
Finish	Polished chrome
Patent protection	No
Key registration	No
Master keying	No
Key suite options	Keyed alike and keyed to differ
Body length	32mm

**SMARTER
LOCKING**



TECHNICAL DRAWINGS



ADDITIONAL PRODUCT IMAGES

