



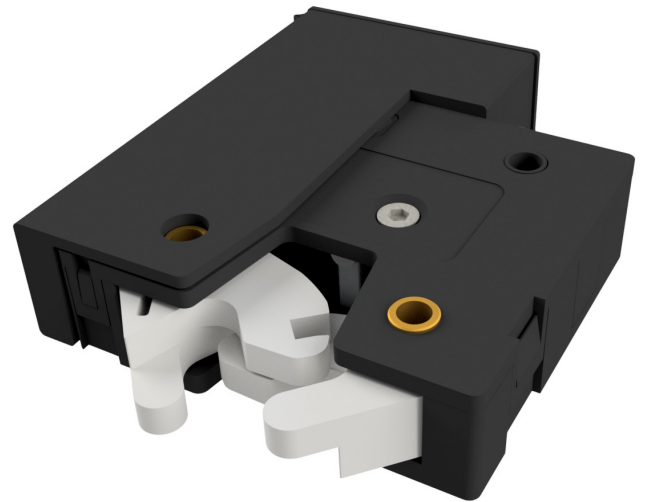
**CAMLOCK**  
SYSTEMS

**PRODUCT SPECIFICATION**

Series 100 Accessory

# MONITORING MODULE

**ADD-ON MONITORING ACCESSORY  
DESIGNED FOR THE SERIES 100**



## OVERVIEW

### Additional module for greater functionality

This new add-on module, designed specifically for the Series 100, provides additional door monitoring and configurable control functions, such as "auto-relock" to hold the latch in the unlocked position, until in use. The module contains a magnetically-operated reed switch and comes with a magnet housing unit that slides over the existing strike.

### Accessory features

- o Screwless terminals for simple installation
- o Change-over contacts provide greater monitoring options
- o Easy to retrofit onto the Series 100 in the field
- o No power required
- o Slim streamline body slides over latch using minimal cabinet space
- o Adjustable read range to suit any door material

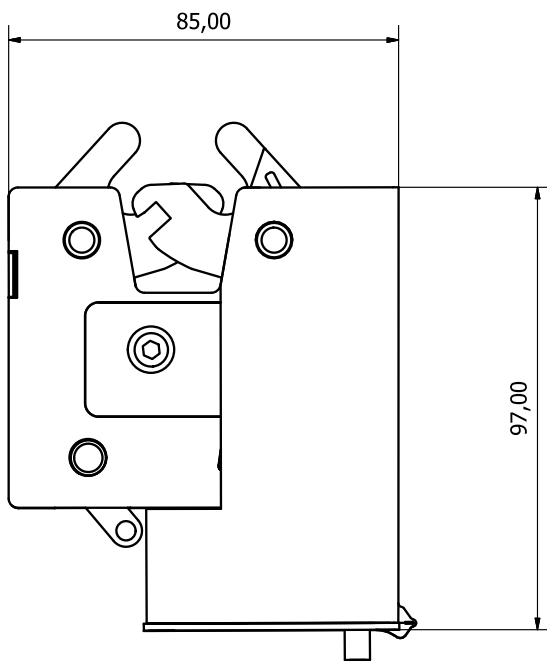
## TECHNICAL DATA

<b>Monitoring contacts</b>	Reed switch, change-over contacts, N/C-C-N/O, Volt free
<b>Contact rating</b>	0.5amp @ 60V dc/ac
<b>Housing material</b>	Polypropylene (PP)
<b>Finish</b>	Smooth black finish
<b>EMC interference testing</b>	Yes
<b>IP rating</b>	IP65
<b>Cycle testing</b>	100,000+ operations
<b>Operating temperatures</b>	+65°C to -40°C
<b>Fixing</b>	Uses existing S100 fixings

**SMARTER  
LOCKING**



## TECHNICAL DRAWINGS



## ADDITIONAL PRODUCT IMAGES

Magnet housing

