



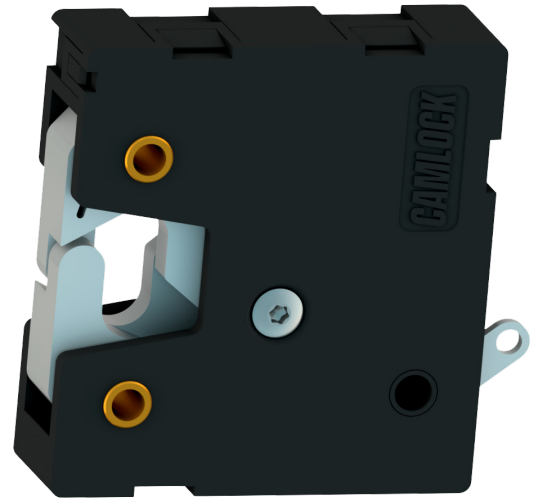
**CAMLOCK**  
SYSTEMS

**PRODUCT SPECIFICATION**

Series 100

# SERIES 100

## MOTORISED ROTARY LATCH



### OVERVIEW

#### A unique solution to concealed latching.

This new patented rotary latch is ideal for high volume applications. Thanks to its unique design with dual locking jaws, it utilises the compression strength of steel to prevent forced unlocking.

**\*power requirements are related to the force applied to jaws**

#### Lock features

- Low energy consumption: 0.4A peak current
- Permits remote monitoring, audit trails and alarming
- Flexible mounting options and vertical panel movement
- Push-to-close convenience for any application
- Accepts signals from any electronic actuation source

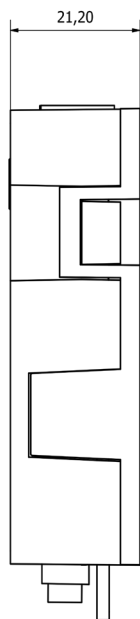
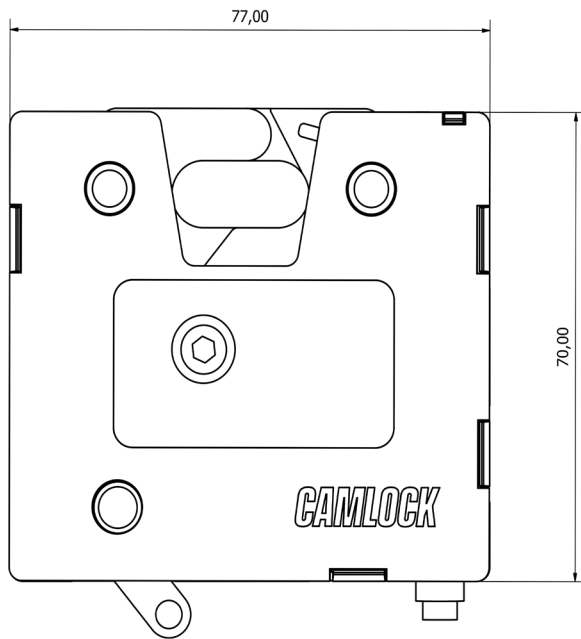
### TECHNICAL DATA

Monitoring	Built-in monitoring switch indicates latch is locked or unlocked
Power requirements	150mA* @ 12V or 24V ac/dc
Sprung door opening	Variable spring tension: Spring open or pull to open
Materials	Glass-reinforced, flame resistant plastic housing. Stainless steel jaws
Finish	Smooth black finish
Mechanical override	Yes - fitted with release lever
Patented	International patent applied for
EMC tested	Yes
Cycle testing	100,000+ cycles
Forced opening	Will withstand 7000 N of force
Contact rating	0.5amp @ 200 V dc
Peak operating temperature range	-40°C to +65°C
Maximum pre-load on latch	300 N
Fixing	3 x M5 fixing bolts

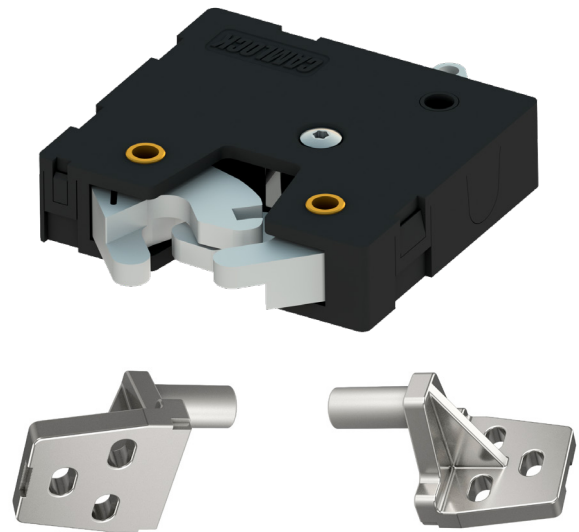
**SMARTER  
LOCKING**



## TECHNICAL DRAWINGS



## ADDITIONAL PRODUCT IMAGES



### Locking strike

Locking strike available to order alongside the Series 100 Hardware. Please request this at the point of placing your order.

