



INSTALLATION INSTRUCTIONS

SERIES 400 MICRO ROTARY LATCH

The series 400R is an electronic rotary latch developed for locking cabinets such as click and collect lockers.

It can be used to replace mechanical locking, enhancing the security, and preventing unauthorised access.

Physical characteristics

The micro locking unit comprises three parts.

1. The rotary latch
2. The electronic actuator
3. The Strike

The device is operated electronically via an access control system.

When unlocking, the strike is pushed out of the rotary jaws, leaving the door slightly open.

The series 400 fails locked and must have power for operation (mechanical override is possible when fitted).

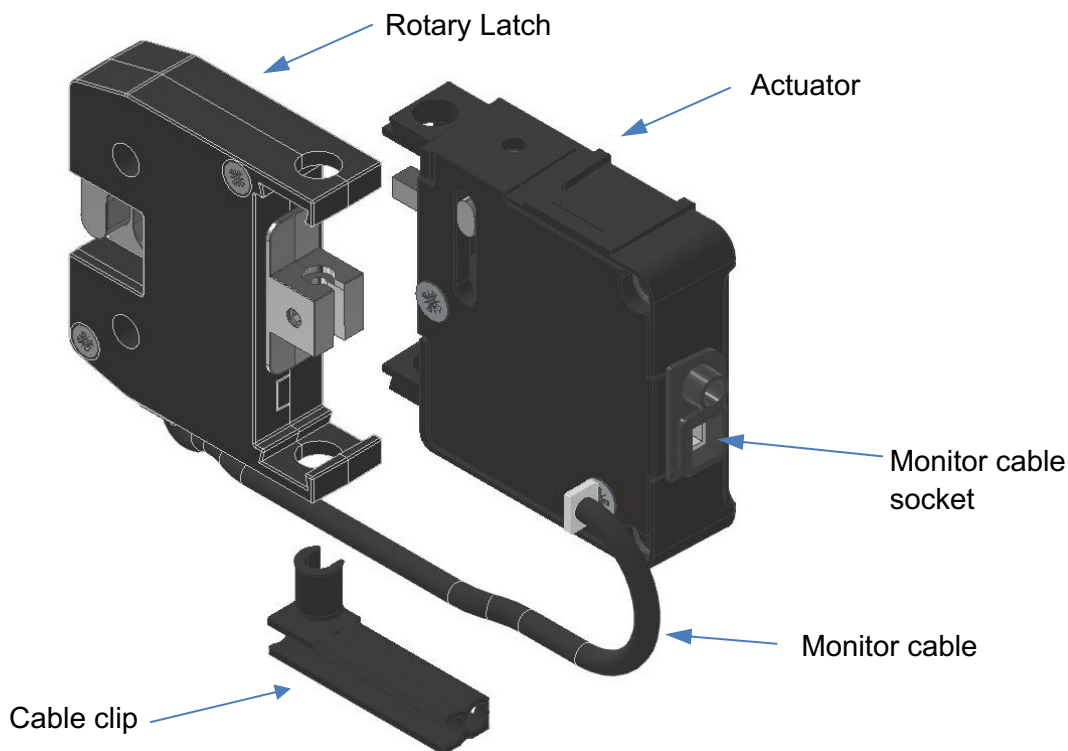
INSTALLATION INSTRUCTIONS

SERIES 400 MICRO ROTARY LATCH

Installation instructions

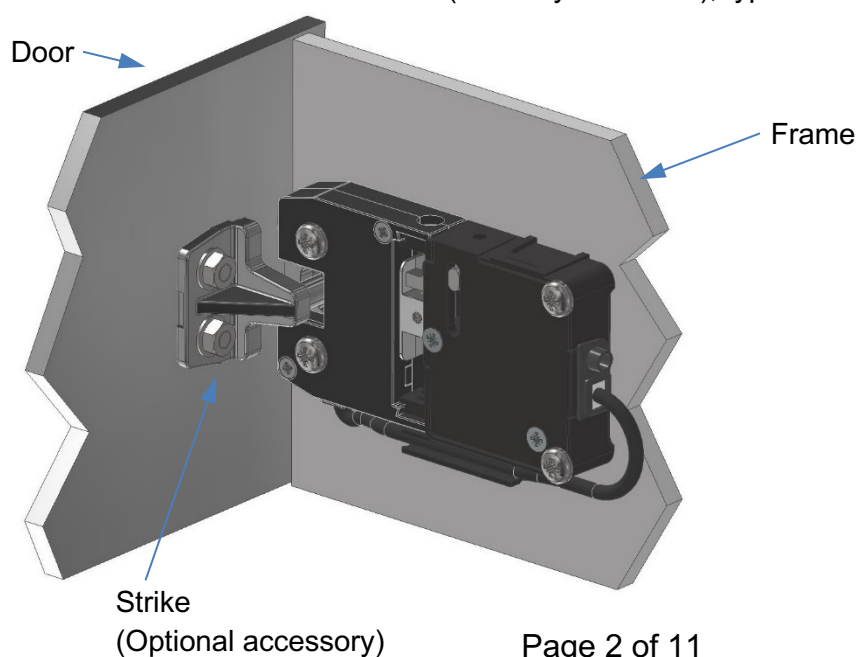
Rotary latch combined with electronic actuator.

First assemble the actuator to the latch in the orientation shown in the picture below



Plug the monitor cable (if fitted) into the socket on the back of the actuator. Push the cable clip in the hole at the bottom of the unit then feed the monitor cable into the slot.

Determine where to fit the device (normally the frame), typical installation shown below.

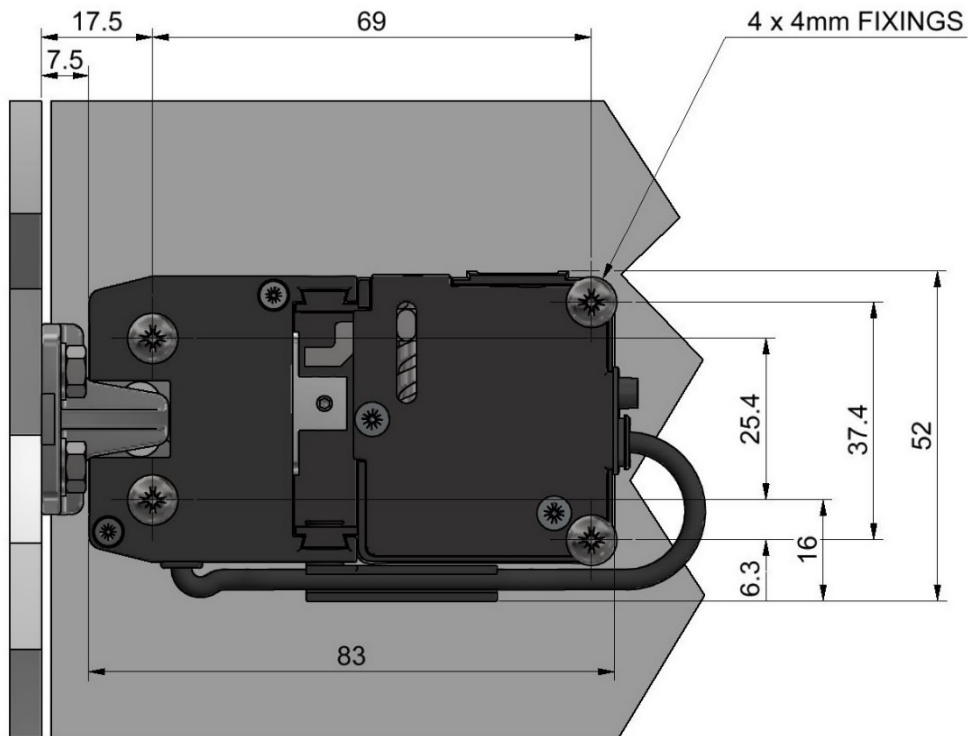


INSTALLATION INSTRUCTIONS

SERIES 400 MICRO ROTARY LATCH

The latch and actuator should be fitted using 4mm fixings see drawings below for fixing positions. *Note the difference for when door monitoring is to be fitted.*

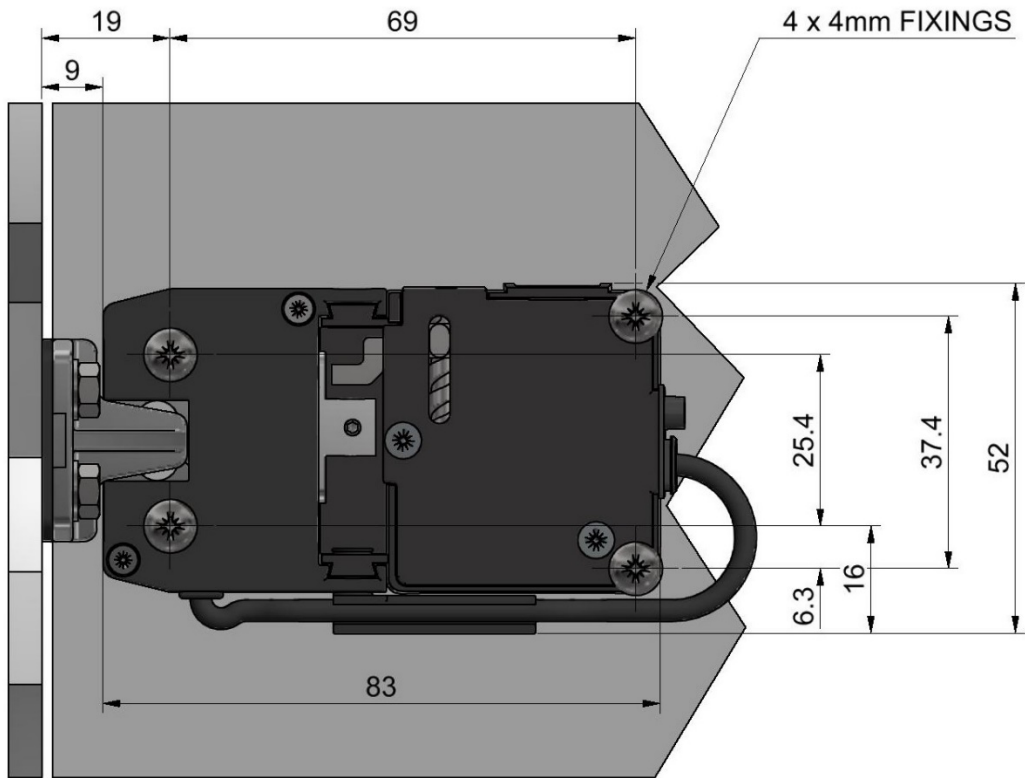
Dimensions *NO* door monitor fitted



Dimensions *With* door monitoring fitted

INSTALLATION INSTRUCTIONS

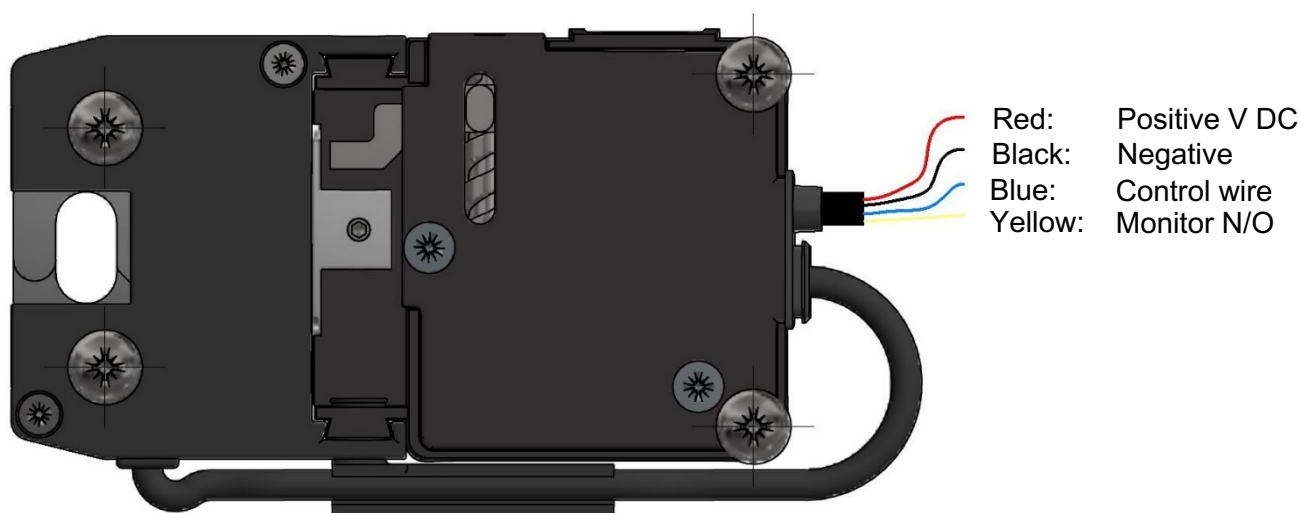
SERIES 400 MICRO ROTARY LATCH



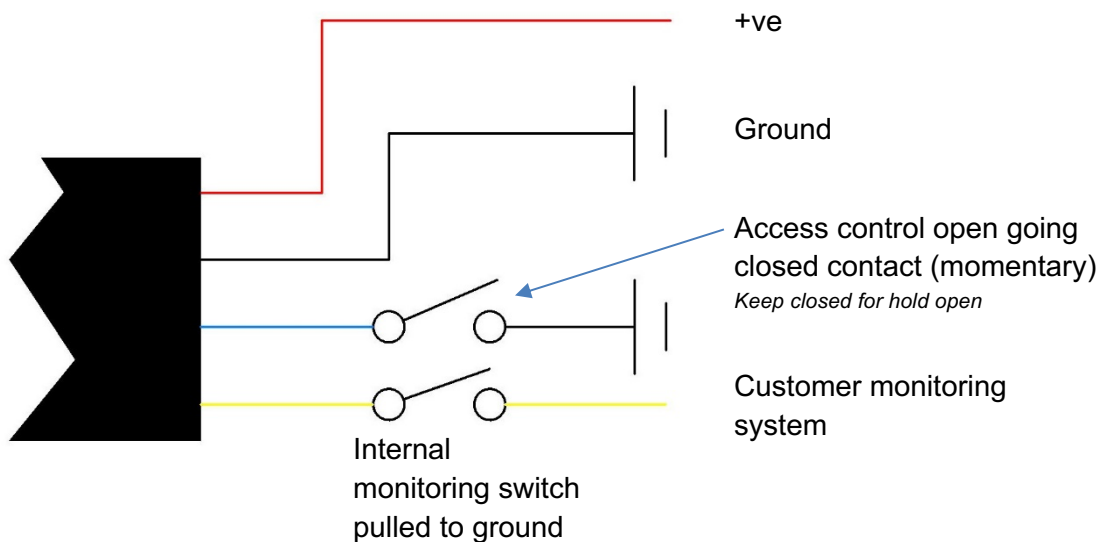
INSTALLATION INSTRUCTIONS

SERIES 400 MICRO ROTARY LATCH

Connection details



Typical wiring example



Check the operation of the lock electronically.

Mechanical override

This can be achieved by means of cable fitted through the cable clip hole, see Bowden operation later in these instructions.

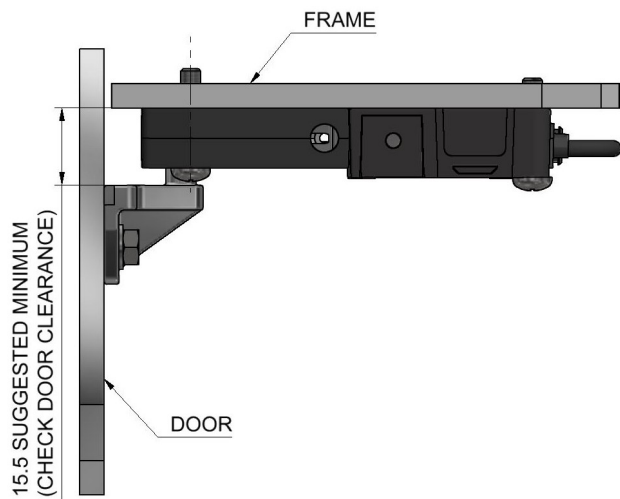
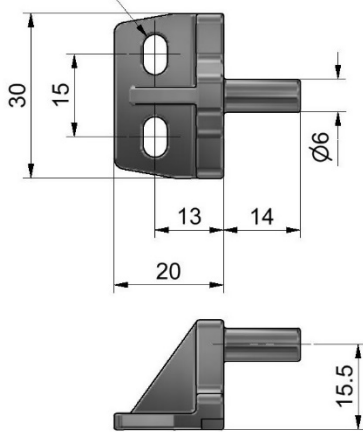
INSTALLATION INSTRUCTIONS SERIES 400 MICRO ROTARY LATCH

Fitting strike.

Important Check the lock function before fitting your own or optional strike.

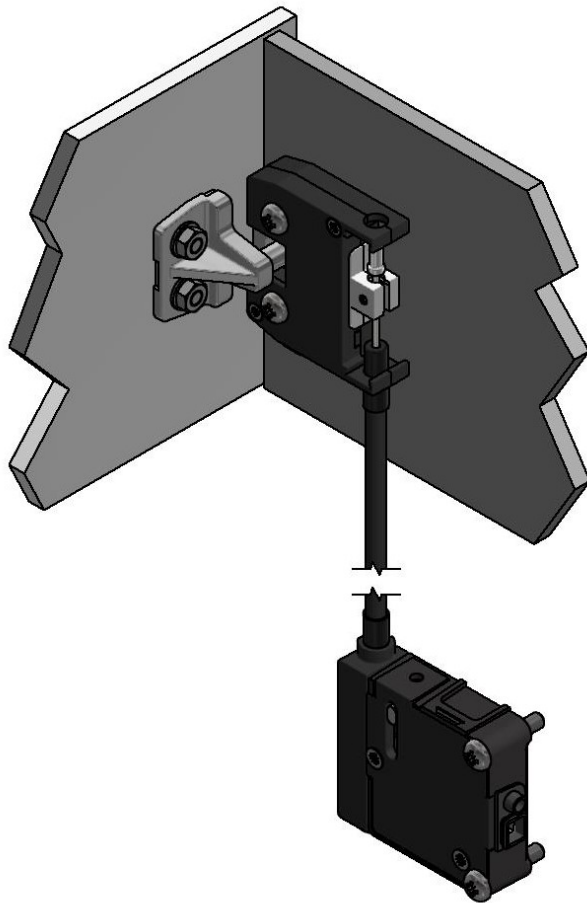
If fitting the optional strike this has the following dimensions. Note when fitting the strike, the lock must be electronically operational or have a mechanical override fitted as once the door is closed you will not be able open it.

HOLES TO SUIT
4mm FIXINGS

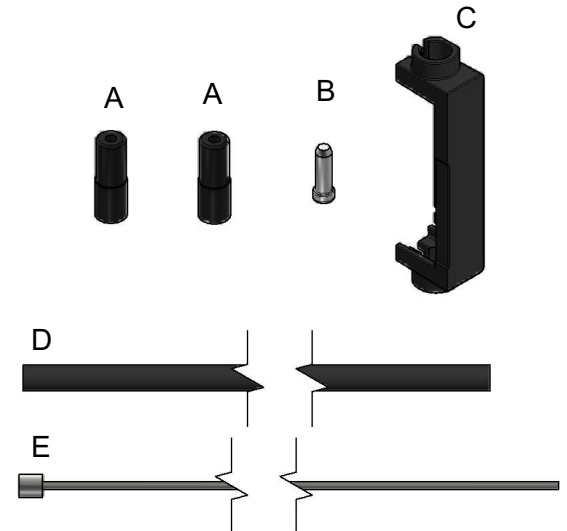


Bowden cable operation

INSTALLATION INSTRUCTIONS SERIES 400 MICRO ROTARY LATCH



Bowden kit

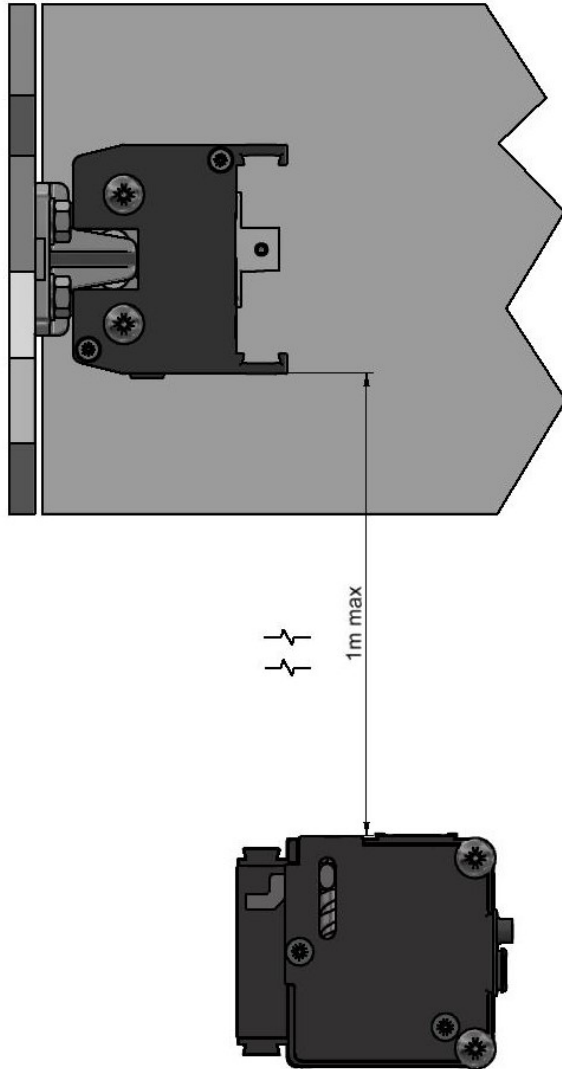


- A - End Cap x 2
- B - Cable ferrule
- C - Plastic cover
- D - Outer cable
- E - Inner cable

Fit lock and actuator as per dimensions on previous pages of these instruction maximum 1m apart.

INSTALLATION INSTRUCTIONS

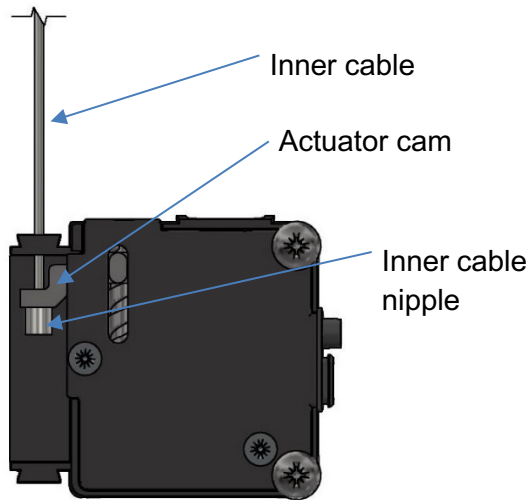
SERIES 400 MICRO ROTARY LATCH



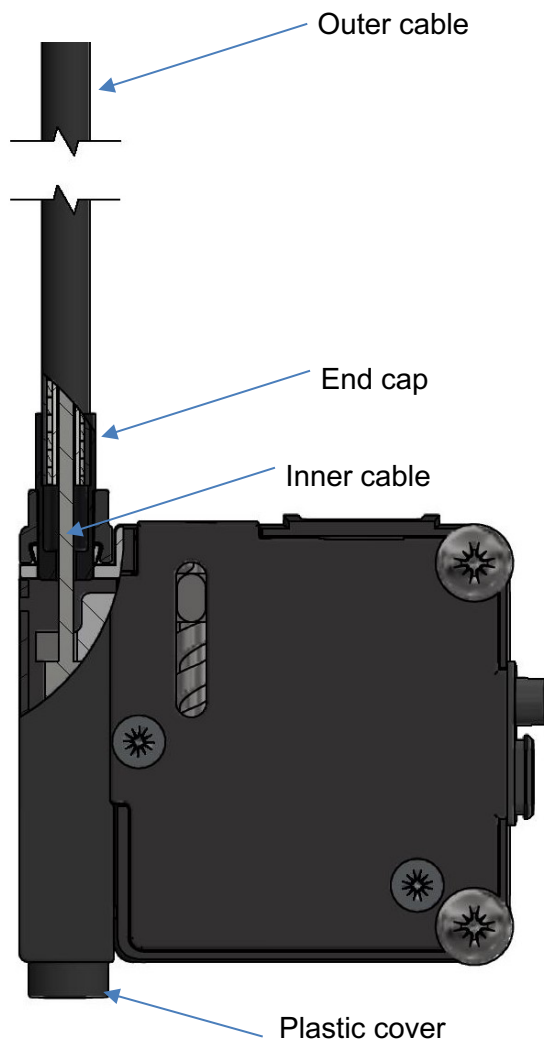
Feed inner cable through actuator

INSTALLATION INSTRUCTIONS

SERIES 400 MICRO ROTARY LATCH



Fit plastic cover over actuator and inner cable. Insert end cap on to outer cable, then slide over the inner cable.

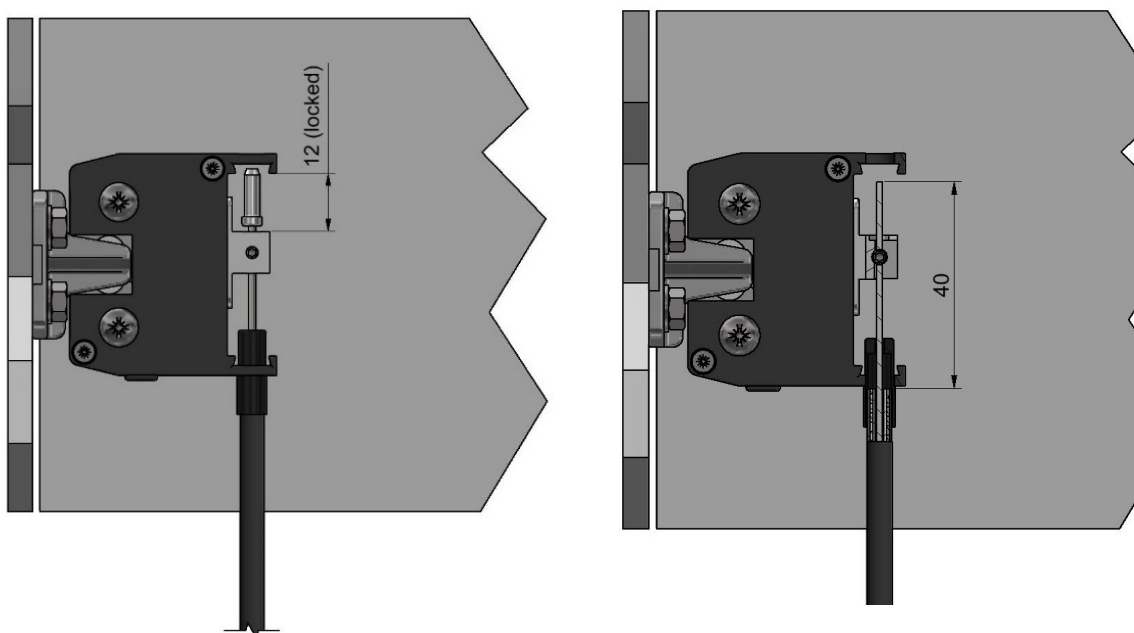


INSTALLATION INSTRUCTIONS

SERIES 400 MICRO ROTARY LATCH

If you need to cut the cable to length, make sure you have suitable cutters, there are specific cutters that are suitable for Bowden cable. The inner cable should be approximately 60mm longer than the outer cable.

Fit an end cap to the outer cable, at the lock end. Then feed the inner cable through the hole at the bottom of the lock, making sure the release lever is in the correct place. Feed the end cap and outer cable into the hole at the bottom of the lock. Pull the inner cable until it stops, check at the actuator that the nipple is touching the actuator cam, clamp the cable with the grub screw fitted in the release lever. A ferrule is provided for the free end of the inner cable, this is to be crimped in place to prevent the cable fraying.



INSTALLATION INSTRUCTIONS

SERIES 400 MICRO ROTARY LATCH

It is recommended that the unit is service every 50,000 cycles or annually.

Check the fixings are secure

Check for wear

Lubricate the device as necessary

Check for frayed Bowden cable

Check mechanical override if fitted

Check correct operation of the device.