



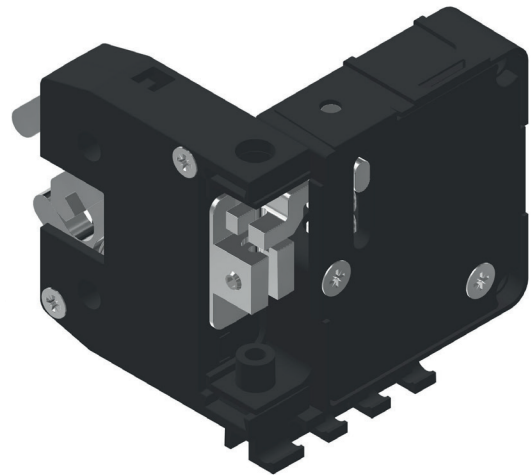
CAMLOCK
SYSTEMS

PRODUCT SPECIFICATION

Series 400-R

90° SERIES 400-R

MICRO ROTARY LATCH AND DETACHABLE ACTUATOR SYSTEM



OVERVIEW

One product - multiple configurations.

Maximise space

Micro-size latch fits into any cabinet or recess, simplifying installation.

Control remotely if and when you need to

Detach and house the actuator in the most convenient spot or service compartment by simply connecting the latch and actuator together via a bowden cable.

Choice of latch types

Choose from a rotary or slam latch for fixing to the door or the cabinet frame.

TECHNICAL DATA

Dimensions (latch and actuator combined)	83mm x 45mm x 14mm
Monitoring	Built-in monitoring switch indicates latch is locked or unlocked
Power requirements	70mA @ 12V dc
Sprung door opening	4.8 N of initial ejection force
Materials	Glass-reinforced plastic housing. Rotary jaws: Stainless steel
Finish	Smooth black finish
Mechanical override	Yes
CE tested	Yes
Cycle testing	50,000+ cycles
Holding force (Rotary latch only)	2800 N
Contact rating	50mA @ 12V dc
Operating temperatures	-20°C to +70°C
Maximum pre-load on latch	60 N
Fixing	4 x 4mm fixings

**SMARTER
LOCKING**